

CONSUMER: KEEP INSTRUCTIONS AND READ BEFORE EACH USE.



INSTALLATION INSTRUCTIONS FOR HITCH MOUNTED CARGO CARRIER

DO NOT EXCEED LOWER OF VEHICLE
MFR'S TONGUE WEIGHT RATING OR HITCH
TONGUE WEIGHT RATING OR 500 LBS.

TOOLS REQUIRED: 3/4 WRENCH

APPROVED FOR USE WITH
DRAW-TITE PRODUCTS.

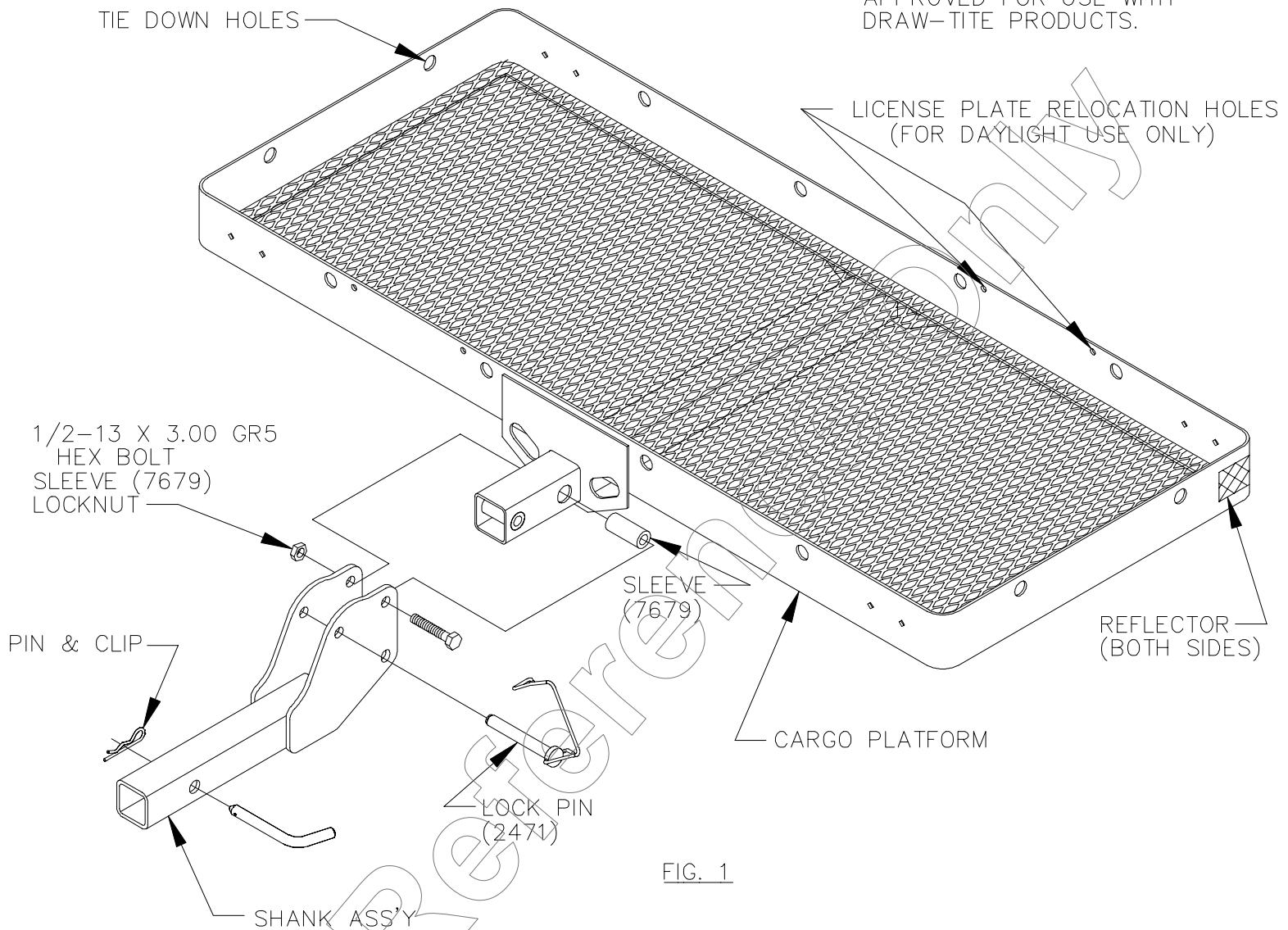
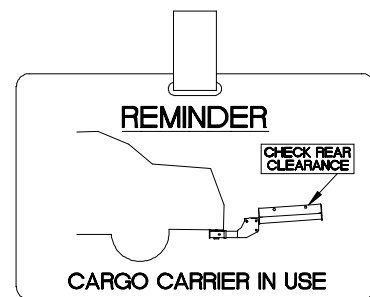


FIG. 1

1. PLACE SHANK ASS'Y IN RECEIVER ON VEHICLE AND ATTACH PIN AND CLIP.
2. INSERT SLEEVE (7679) INTO CARGO PLATFORM AND BOLT TO SHANK. TORQUE BOLT TO 75 LB-FT.
3. INSERT LOCK PIN (2471) THRU THE SHANK ASS'Y AND CARGO PLATFORM.
4. APPLY REFLECTORS TO REAR CORNERS OF CARGO PLATFORM AS SHOWN ABOVE.
5. TRANSPORT THE CARGO CARRIER IN THE UP POSITION WHEN UNLOADED.
6. IF THE VEHICLE LICENSE PLATE IS OBSCURED, RELOCATE AS SHOWN IN FIG. 2.
7. ATTACH CLIP TO REMINDER CARD.

DASHBOARD REMINDER

DURING USE ATTACH IN A VISIBLE LOCATION NEAR THE DRIVER (EXAMPLE: A HEATING/COOLING VENT). DO NOT ATTACH TO REAR VIEW MIRROR OR WHERE IT WILL OBSCURE THE VIEW OF THE ROAD.



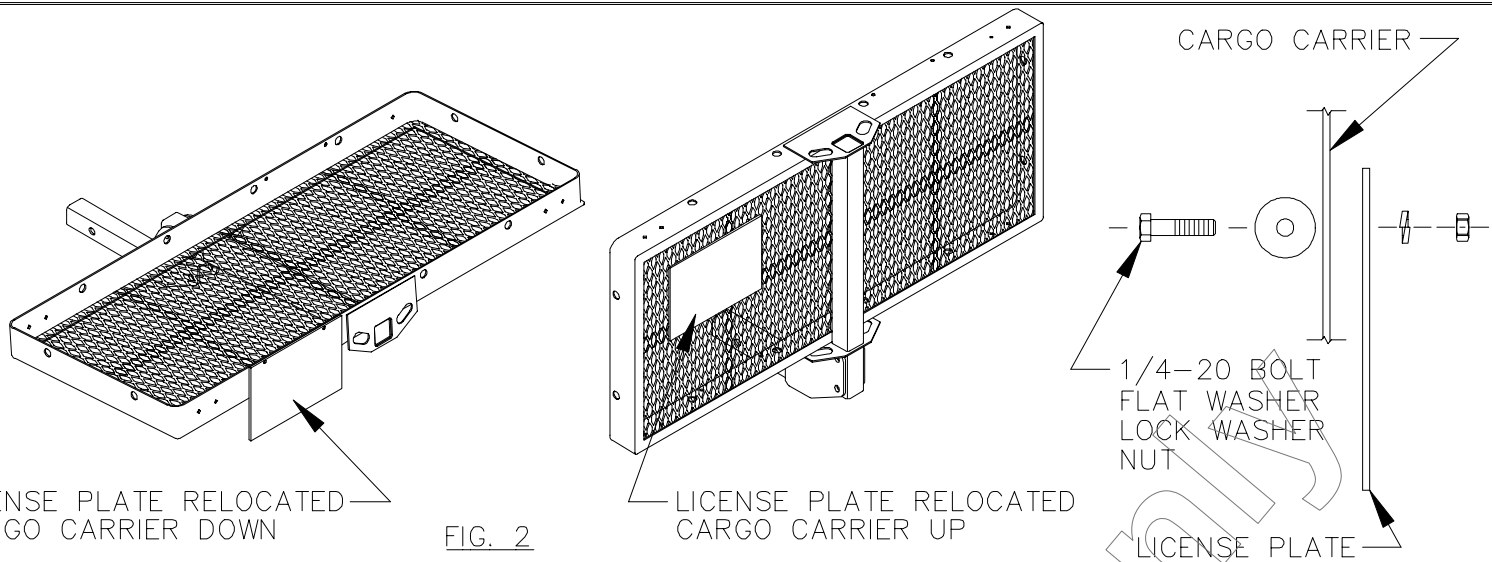


FIG. 2

ACCESSORIES

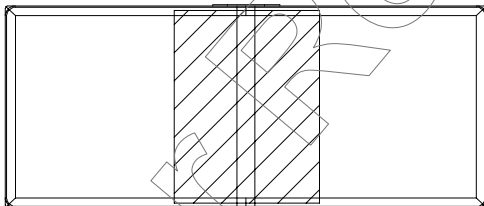
- * 6504 - CARGO CARRIER LIGHT KIT.
- * 6505 - CARGO CARRIER BIKE CARRIER (CAPACITY 4 BIKES).
FOR USE ON 6502 WITH CHILDRENS BIKES (20" TIRES OR LESS).
- * 5997 - 6FT COMBINATION CABLE LOCK.

WARNING

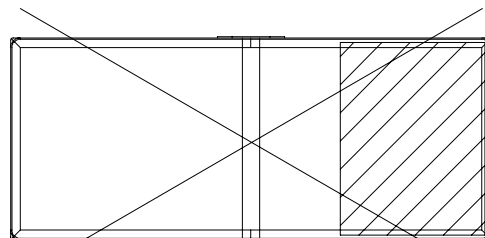
- * NOT FOR TRANSPORT OF PEOPLE, ANIMALS, OR FLAMMABLE LIQUIDS.
- * USE LIGHT KIT (6504) IF LOAD OR CARGO CARRIER BLOCKS THE TAILLIGHTS OR TURN SIGNALS.

CAUTION

- * THE CARGO CARRIER LOAD RATING IS THE LOWEST OF THE FOLLOWING:
 - CARGO CARRIER RATING 500 LB.
 - HITCH TONGUE WEIGHT RATING
 - VEHICLE MANUFACTURER TONGUE WEIGHT RATING
- * CENTER OF GRAVITY OF LOAD MUST BE POSITIONED WITHIN MIDDLE THIRD OF PLATFORM.



CORRECT



WRONG

- * SECURELY FASTEN LOAD TO CARGO PLATFORM USING THE TIE DOWN HOLES.
- * CHECK SECURITY OF LOAD, FASTENERS, PINS, & CLIP AT ALL FUEL AND REST STOPS.
- * SEVERE BUMPS CAN DAMAGE YOUR TOWING VEHICLE, HITCH AND CARGO CARRIER. DRIVE SLOWLY ON ROUGH ROADS. STOP AND MAKE A THOROUGH INSPECTION IF YOUR CARGO CARRIER STRIKES THE ROAD. CORRECT ANY PROBLEMS BEFORE RESUMING TRAVEL.
- * DO NOT CUT, DRILL, WELD, OR MODIFY CARGO CARRIER.
- * DO NOT CARRY LOADS WIDER THAN YOUR VEHICLE.
- * RELOCATE LICENSE PLATE IF BLOCKED BY LOAD OR CARGO CARRIER.
 - FOR DAYLIGHT, RELOCATE LICENSE PLATE TO HOLES PROVIDED, SEE FIG 2.
 - FOR NIGHTTIME, USE LIGHT KIT (6504).